

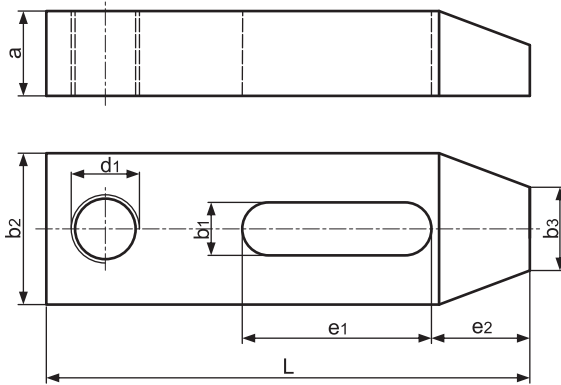
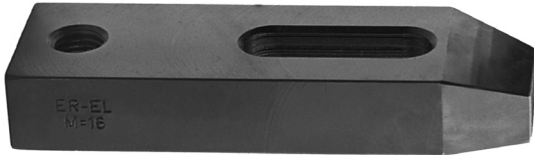
Łapa dociskowa prosta - RLF

Straight clamp - RLF

Material/Material: 1.1191, 32-35HRC

Norma/Standard: DIN 6314

Uwagi/Remarks: Śruby teowe, podkładki i nakrętki należy zamówić osobno / T-screws, washers and nuts must be ordered separately



d ₁	a	b ₂	b ₃	e ₁	e ₂	b ₁	Śruba teowa T-slot bolt	L	Ciężar (kg) Weight	Nr katalogowy Item no.
M8	10	20	8	20	10	6,6	M6	50	0,06	RLF-06050
M8	12	25	10	22	13	9	M8	60	0,11	RLF-08060
M10	15	30	12	30	15	11	M10	80	0,20	RLF-10080
M12	20	40	14	40	21	14,5	M12-M14	100	0,55	RLF-12100
				50				125	0,55	RLF-12125
M16	25	50	18	45	26	18,5	M16-M18	125	1,10	RLF-16125
				65				160	1,33	RLF-16160
M20	30	60	22	60	30	22,5	M20- M22	160	2,00	RLF-20160
	30	60		80				200	2,20	RLF-20200
	35	70		100				250	2,50	RLF-20250
M24	30	70	26	60	35	26	M24	160	1,90	RLF-24160
	35	70		80				200	2,50	RLF-24200
	35	70		100				250	3,75	RLF-24250
	40	80		35				130	315	4,20
M24	40	80	34	100	45	33	M30	250	4,80	RLF-30250
	50			130				315	7,60	RLF-30315
M24	60	100	43	150	100	43	M36-M42	400	17,80	RLF-36400

