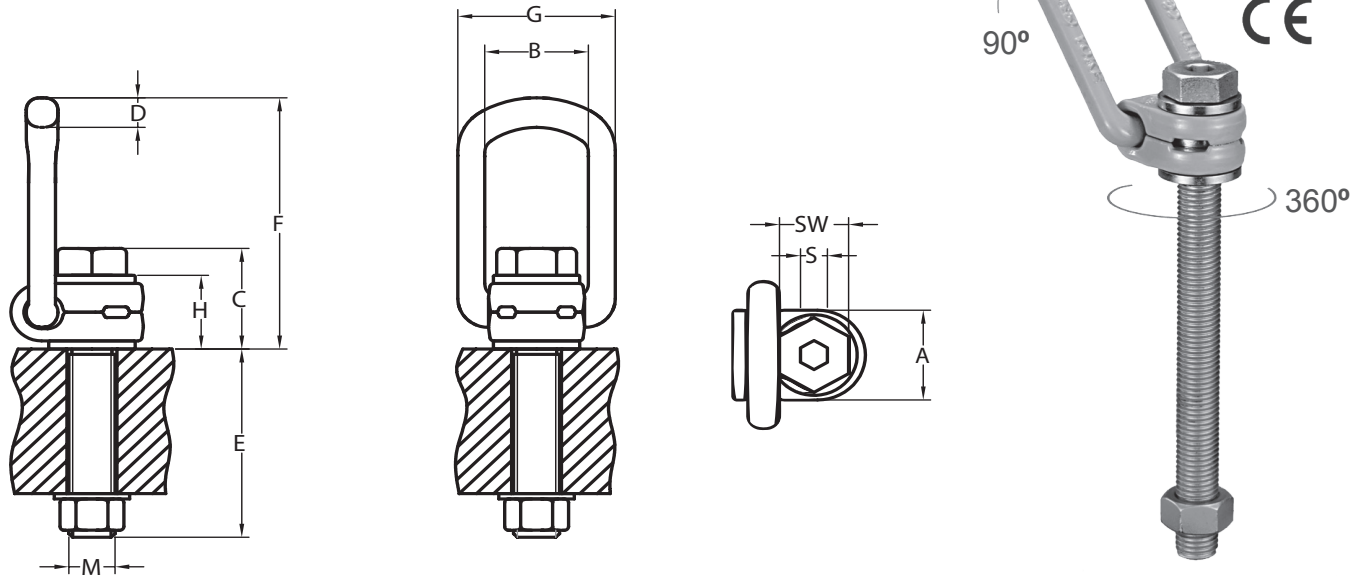


Ogniwo ruchome z przedłużoną śrubą - LBL

Load ring with extended bolt - LBL

Opis/Description: Informacje techniczne identyczne jak dla ogniwo LBO
 Technical information the same as for LBO ring



* Inne długości śrub na specjalne zamówienie / Other bolt length on request

| Nr katalogowy Item no. | Udźwig(t) Capacity(t) | Gwint Thread | A | B | C | D | E | F | G | H | S | SW | Ciężar(kg) Weight(kg) | Moment dokręcenia Tightening torque | Zestaw naprawczy Repair kit |
|---------------------------|--------------------------|-----------------|----|-----|-----|----|-----|-----|-----|----|----|----|--------------------------|--|--------------------------------|
| LBL-08003 | 0,3 | M8 | 30 | 35 | 35 | 10 | 76 | 85 | 55 | 29 | 6 | 13 | 0,20 | 30 Nm | 8-P211-003/105 |
| LBL-10006 | 0,63 | M10 | 30 | 35 | 36 | 10 | 96 | 85 | 55 | 29 | 6 | 17 | 0,40 | 60 Nm | 8-P211-006/125 |
| LBL-12010 | 1 | M12 | 33 | 37 | 44 | 14 | 114 | 98 | 57 | 36 | 8 | 19 | 0,50 | 100 Nm | 8-P211-010/150 |
| LBL-16015 | 1,5 | M16 | 33 | 37 | 46 | 14 | 149 | 98 | 57 | 36 | 10 | 24 | 0,70 | 150 Nm | 8-P211-015/185 |
| LBL-20025 | 2,5 | M20 | 50 | 54 | 57 | 17 | 186 | 140 | 82 | 44 | 12 | 30 | 1,70 | 250 Nm | 8-P211-025/230 |
| LBL-24040 | 4 | M24 | 50 | 54 | 59 | 17 | 221 | 140 | 82 | 44 | 14 | 36 | 2,00 | 400 Nm | 8-P211-040/265 |
| LBL-30050 | 5 | M30 | 60 | 65 | 81 | 23 | 278 | 170 | 99 | 62 | 17 | 46 | 4,40 | 500 Nm | 8-P211-050/340 |
| LBL-36080 | 8 | M36 | 77 | 85 | 101 | 27 | 222 | 225 | 124 | 78 | 22 | 55 | 7,10 | 800 Nm | 8-P211-080/300 |
| LBL-42100 | 10 | M42 | 77 | 85 | 104 | 27 | 272 | 225 | 124 | 78 | 24 | 65 | 8,50 | 1000 Nm | 8-P211-100/350 |
| LBL-42150 | 15 | M42 | 95 | 104 | 112 | 36 | 264 | 256 | 158 | 86 | 24 | 65 | 13,00 | 1500 Nm | 8-P211-150/350 |
| LBL-48200 | 20 | M48 | 95 | 104 | 120 | 36 | 295 | 259 | 158 | 90 | 27 | 75 | 14,70 | 2000 Nm | 8-P211-200/385 |

Maksymalne obciążenie „G” w tonach przy różnych sposobach mocowania Maximum transport weight „G” in tonnes with different lifting methods

| Nr katalogowy Item no. | Gwint Thread | Ilość ciągów / No. of lines | | Kier. obciążenia / Load direction | | 2 | | 2 | | 3+4 | | 3+4 | |
|---------------------------|-----------------|-----------------------------|------|-----------------------------------|------|-------|--------|---------------------------------|-------|--------|---------------------------------|------|------|
| | | 1 | 2 | 0° | 90° | 0-45° | 45-60° | niesymetryczne unsymmetrical | 0-45° | 45-60° | niesymetryczne unsymmetrical | | |
| LBO/LBL-08003 | M8 | 0,3 | 0,6 | 0,3 | 0,6 | 0,42 | 0,3 | 0,3 | 0,63 | 0,45 | 0,3 | 0,3 | 0,63 |
| LBO/LBL-10006 | M10 | 0,63 | 1,26 | 0,63 | 1,26 | 0,88 | 0,63 | 0,63 | 1,32 | 0,95 | 0,63 | 0,63 | 1,32 |
| LBO/LBL-12010 | M12 | 1 | 2 | 1 | 2 | 1,4 | 1 | 1 | 2,1 | 1,5 | 1 | 1 | 2,1 |
| LBO/LBL-14012 | M14 | 1,2 | 2,4 | 1,2 | 2,4 | 1,7 | 1,2 | 1,2 | 2,5 | 1,8 | 1,2 | 1,2 | 2,5 |
| LBO/LBL-16015 | M16 | 1,5 | 3 | 1,5 | 3 | 2,1 | 1,5 | 1,5 | 3,1 | 2,2 | 1,5 | 1,5 | 3,1 |
| LBO/LBL-18020 | M18 | 2,0 | 4,0 | 2,0 | 4,0 | 2,8 | 2,0 | 2,0 | 4,2 | 3,0 | 2,0 | 2,0 | 4,2 |
| LBO/LBL-20025 | M20 | 2,5 | 5 | 2,5 | 5 | 3,5 | 2,5 | 2,5 | 5,2 | 3,7 | 2,5 | 2,5 | 5,2 |
| LBO/LBL-24040 | M24 | 4 | 8 | 4 | 8 | 5,6 | 4 | 4 | 8,4 | 6 | 4 | 4 | 8,4 |
| LBO/LBL-27040 | M27 | 4 | 8 | 4 | 8 | 5,6 | 4 | 4 | 8,4 | 6 | 4 | 4 | 8,4 |
| LBO/LBL-30050 | M30 | 5 | 10 | 5 | 10 | 7 | 5 | 5 | 10,5 | 7,5 | 5 | 5 | 10,5 |
| LBO/LBL-36070 | M36 | 7 | 14 | 7 | 14 | 9,8 | 7 | 7 | 17,7 | 10,5 | 7 | 7 | 17,7 |
| LBO/LBL-36080 | M36 | 8 | 16 | 8 | 16 | 11,2 | 8 | 8 | 16,8 | 12 | 8 | 8 | 16,8 |
| LBO/LBL-42100 | M42 | 10 | 20 | 10 | 20 | 14 | 10 | 10 | 21 | 15 | 10 | 10 | 21 |
| LBO/LBL-42150 | M42 | 15 | 30 | 15 | 30 | 21 | 15 | 15 | 31,5 | 22,5 | 15 | 15 | 31,5 |
| LBO/LBL-48200 | M48 | 20 | 40 | 20 | 40 | 28 | 20 | 20 | 42 | 30 | 20 | 20 | 42 |