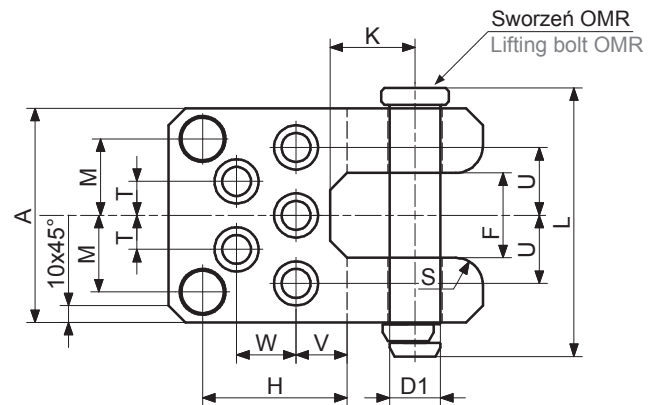
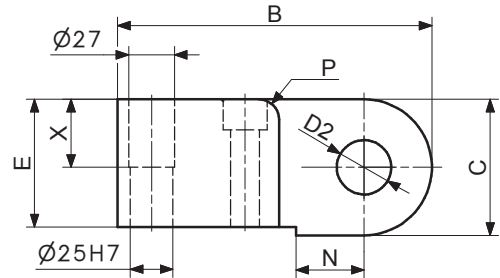


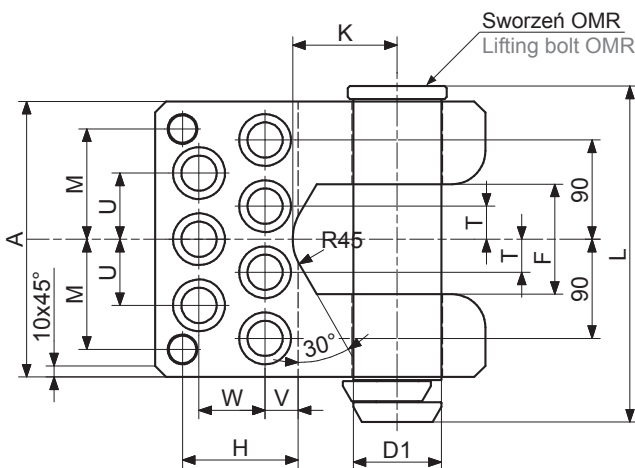
Uchwyt transportowy ze sworzniem - OME Lifting bracket with lifting bolt - OME



Material/Material: St52
 Norma/Standard: BMW
 Uwaga/Remark: dostarczany ze sworzniem OMR / supplied with lifting bolt OMR



OME-03200 ÷ OME-10000



OME-18000

Udźwig (kg) Capacity (kg)	D1	D2	A	B	C	E	F	H	K	L	M	N	P	S	T	U	V	W	X	Nr katalogowy Item no.
3200	30	32	126	185	80	75	50	85	50	158	45	40	12	16	20	40	30	35	40	OME-03200
4500	40	42	150	210	100	95	60	87	55	187	52	50	12	20	22,5	45	25	40	60	OME-04500
8000	50	52	175	240	120	115	75	95	70	220	62,5	60	16	24	25	50	35	45	80	OME-08000
10000	60	62	200	280	140	130	80	120	80	246	75	65	20	30	30	60	45	60	95	OME-10000
18000	80	82	250	300	160	150	100	105	95	305	100	90	20	30	30	60	30	60	115	OME-18000

Kod BMW BMW code	Śruba Screw	Nr katalogowy Item no.
B2 5605 112169196	M16x90	OME-03200
B2 5605 112169197	M20x120	OME-04500
B2 5605 112169198	M24x140	OME-08000
B2 5605 112169199	M30x160	OME-10000
B2 5605 112169200	M30x180	OME-18000