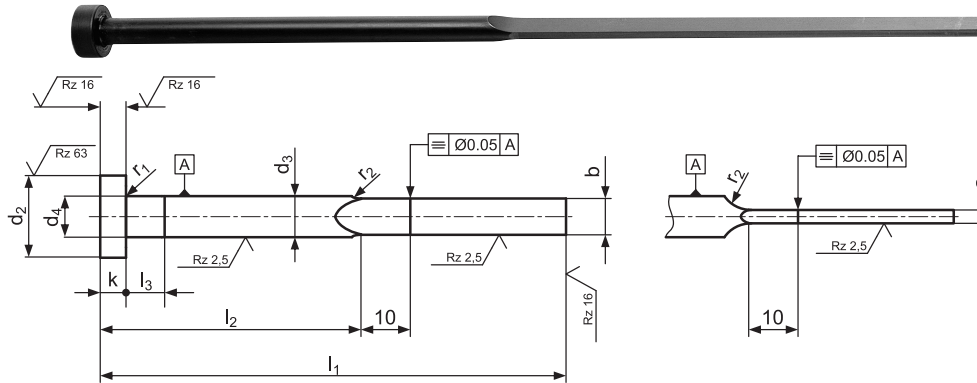


Wypychacz płaski z łbem cylindrycznym - 6315...

Blade ejector pin with cylindrical head - 6315...

wg DIN ISO 8693 (DIN 1530, typ FA azotowany w kąpeli - na czarno)

to DIN ISO 8693 (DIN 1530, type FA, dip nitrided)



Opis/Description: Wypychacz płaski z łbem cylindrycznym kutym na gorąco, trzpień szlifowany i azotowany. Szczególnie polecany przy odlewaniu ciśnieniowym.

Head hot forged, shaft fine ground finished and dip nitrided.
Particularly suitable for pressure die cast tools

Materiał/Material: WAS = 1.2343, 1.2344
Odporność temperaturowa min. 600 °C
Temper resistance at least 600 °C

Twardość/Hardness: Trzpień/Shaft: min. 950 HV 0.3 na powierzchni, wytrzymałość rdzenia: 1400 N/mm² at least 950 HV 0,3 on surface. core strength approx. 1400 N/mm²
Łeb/Head: 45±5 HRC

a ⁰ _{-0,015}	b ⁰ _{-0,015}	d ₃ h11	d ₂ ⁰ _{-0,2}	k ⁰ _{-0,05}	r ₁ ^{+0,2} ₀	r ₂ min	l ₁ ⁺² ₀													
							63	80	100	125	160	200	250	315	400					
							l ₂ ⁻¹ ₋₂													
							32	40	50	63	80	100	125	160	200					
0,8	3,5	4,0	8	3	0,3	10	●	●	●	●	●									
1,0							●	●	●	●										
1,2		●					●	●	●											
1,0	●	●					●	●												
0,8	3,8	4,2									●	●	●	●	●					
1,0							●	●	●	●	●	●								
1,2			●	●	●		●	●	●	●										
1,0	4,5	5	10					●	●	●	●	●	●							
1,2				●	●		●	●	●	●	●									
1,5				●	●		●	●	●	●	●	●								
1,0	5,5	6	12					●	●	●	●	●	●	●	●					
1,2				●	●		●	●	●	●	●	●								
1,5				●	●	●	●	●	●	●	●									
2,0	7,5	8	14	5	0,5			●	●	●	●	●	●	●	●					
1,2						●	●	●	●	●	●	●	●							
1,5						●	●	●	●	●	●	●	●	●						
2,0	9,5	10	16						●	●	●	●	●	●	●					
1,5				●	●	●	●	●	●	●	●	●								
2,0				●	●	●	●	●	●	●	●	●	●							
2,0	11,5	12	18	7	0,8						●	●	●	●	●					
2,5						●	●	●	●	●	●	●	●	●						
2,0						●	●	●	●	●	●	●	●	●	●					
2,5	15,5	16	22								●	●	●	●	●					
2,5				●	●	●	●	●	●	●	●	●	●	●						

● - Dostępne z magazynu lub w krótkim terminie. Pozostałe wymiary na zamówienie
Available from stock or in short time. Other dimensions on request

Sposób zamawiania: Wypychacz - 6315.
a = 1,2 mm - 12.
b = 7,5 mm - 075.
l₁ = 200 mm - 200
Nr katalogowy - 6315.12.075.200

How to order: Ejector - 6315.
a = 1,2 mm - 12.
b = 7,5 mm - 075.
l₁ = 200 mm - 200
Item no. - 6315.12.075.200