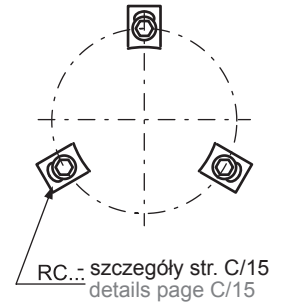
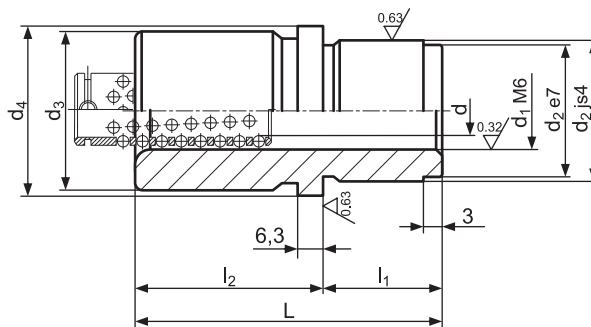


Tuleja do prowadzeń kulkowych - TKD

Bush for ball bearing guides - TKD

Material/Material: 1.3505
 Twardość/Hardness: 62±2 HRC
 Norma/Standard: ISO 9448-7

Max. szybkość pracy/Max. speed: 150 m/min



Tuleje dostarczane z zaczeпами RCK
 Rekomendowana dokładność gniazda - d₂ (H5)
 Bushes provided with clamps RCK
 Recommended precision of the socket - d₂ (H5)

d ₄	d ₃	d ₂	l ₂	L	l ₁	Tol(L, l ₁)	d	Nr katalogowy Item no.	d	Nr katalogowy Item no.
40	39	32	20	43	23		20	TKD-20043	19	TKD-19043
			36	59	23			TKD-20059		TKD-19059
48	46	40	25	55	30	+0,012 +0,004	25	TKD-25055	24	TKD-24055
			36	59	23			TKD-25059		TKD-24059
			56	79	23			TKD-25079		TKD-24079
			50	80	30			TKD-25080		TKD-24080
56	53	48	32	69	37		32	TKD-32069	30	TKD-30069
			45	75	30			TKD-32075		TKD-30075
			63	93	30			TKD-32093		TKD-30093
			56	93	37			TKD-32093A		TKD-30093A
66	63	58	32	79	47	+0,015 +0,005	40	TKD-40079	38	TKD-38079
			45	82	37			TKD-40082		TKD-38082
			71	108	37			TKD-40108		TKD-38108
			63	110	47			TKD-40110		TKD-38110
80	77	70	36	96	60		50	TKD-50096	48	TKD-48096
			50	97	47			TKD-50097		TKD-48097
			80	127	47			TKD-50127		TKD-48127
			71	131	60			TKD-50131		TKD-48131
95	92	85	56	116	60	+0,018 +0,006	63	TKD-63116	60	TKD-60116
			90	150	60			TKD-63150		TKD-60150
118	115	105	60	120	60		80	TKD-80120	-	-
			90	150	60			TKD-80150		-